

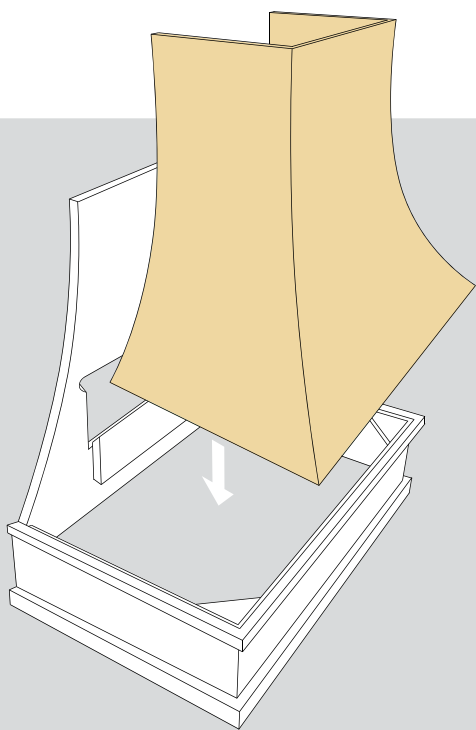


# Special Order Wood Range Hoods

## Specifications & Pricing

March 2023

Version date 3/1/2023



# STRAPPING

Number Number per Width



30" (One)



36-42" (Two)



48" (Three)

## Straps

- Wood, Steel & Brass all have the same amount of straps
- Spacing will vary per hood width



# CURVED

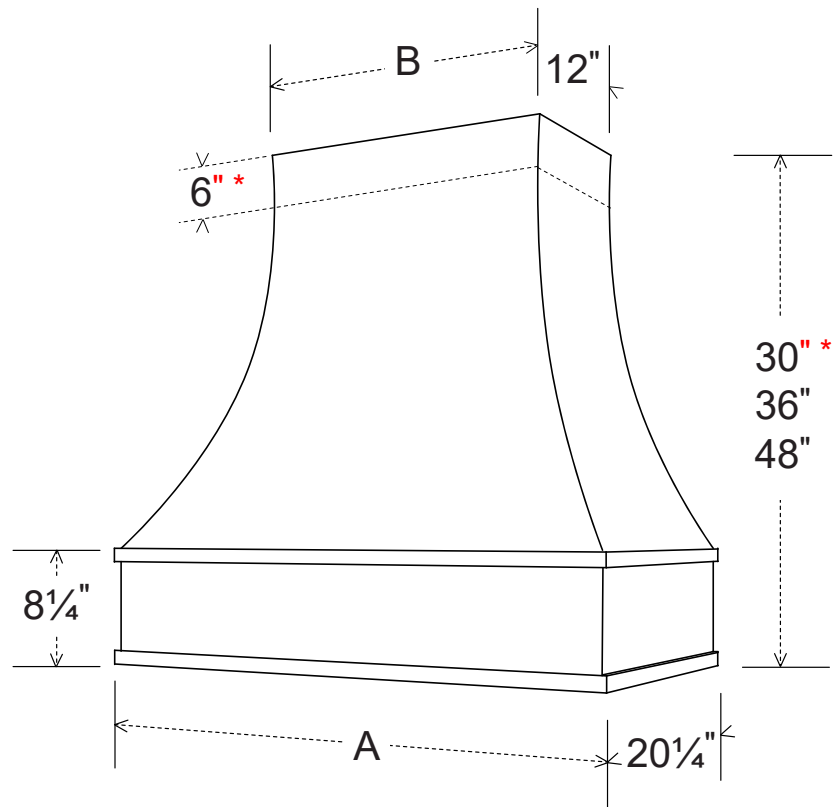
## Smooth

Item (Width/Height)	A	B
CSX-3030*	31½"	15"
CSX-3036	31½"	15"
CSX-3048	31½"	15"
CSX-3630*	37½"	21"
CSX-3636	37½"	21"
CSX-3648	37½"	21"
CSX-4230*	43½"	27"
CSX-4236	43½"	27"
CSX-4248	43½"	27"
CSX-4830*	49½"	33"
CSX-4836	49½"	33"
CSX-4848	49½"	33"

\* 30" high hoods are NOT trimmable in height  
(Dimensions include the width/height of trim)

### Quick Specs

- Two Piece unit (Apron/Back & Chimney)
- Chimney trimmable 6" max from top
- ¾" cabinet grade veneer plywood
- Apron molding is ¼" solid hardwood maple
- Standard *interior* width:
  - Subtract 1½" from overall exterior width (A)
- Standard *interior* depth is 18"
- All dimensions are nominal
- Wood Hoods are shipped separately from cabinet order



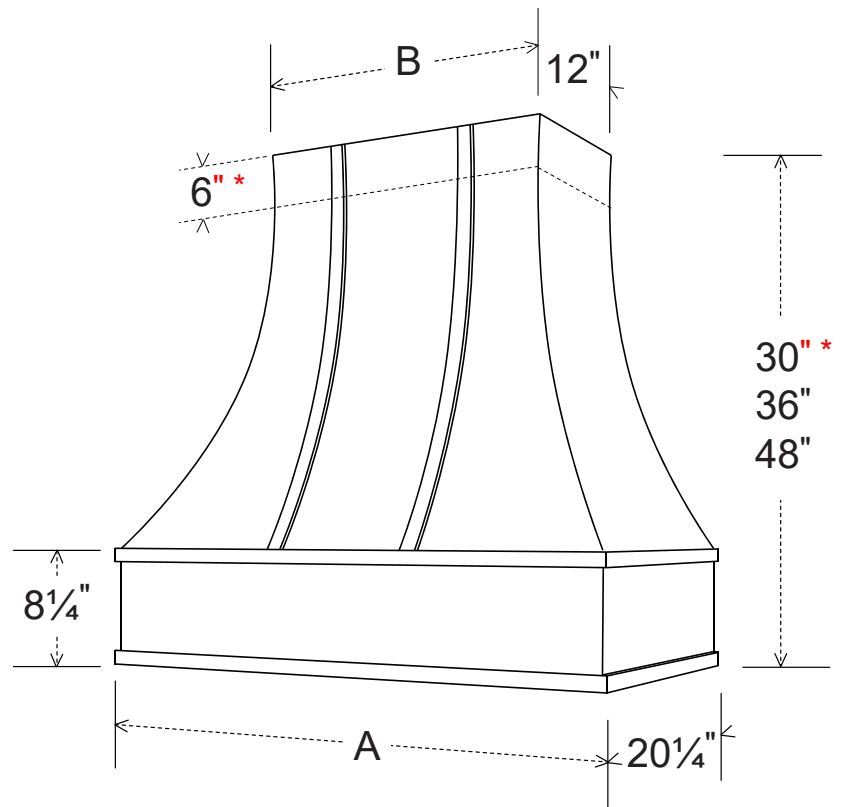
### Exhaust Fan/Blower

- Sold separately
- May ship separately from wood hood unit
- If fan/blower is **not** selected hood will be made with ¾" finished plywood solid bottom for job-site cut out



# CURVED Wood Straps

Item (Width/Height)	A	B
CSR-3030*	31½"	15"
CSR-3036	31½"	15"
CSR-3048	31½"	15"
CSR-3630*	37½"	21"
CSR-3636	37½"	21"
CSR-3648	37½"	21"
CSR-4230*	43½"	27"
CSR-4236	43½"	27"
CSR-4248	43½"	27"
CSR-4830*	49½"	33"
CSR-4836	49½"	33"
CSR-4848	49½"	33"



\* 30" high hoods are NOT trimmable in height  
(Dimensions include the width/height of trim)

## Quick Specs

- Two Piece unit (Apron/Back & Chimney)
- Chimney trimmable 6" max from top
- Number of straps vary per hood width
- ¾" cabinet grade veneer plywood
- Apron molding is ¼" solid hardwood maple
- Standard *interior* width:
  - Subtract 1½" from overall exterior width (A)
- Standard *interior* depth is 18"
- All dimensions are nominal
- Wood Hoods are shipped separately from cabinet order

## Exhaust Fan/Blower

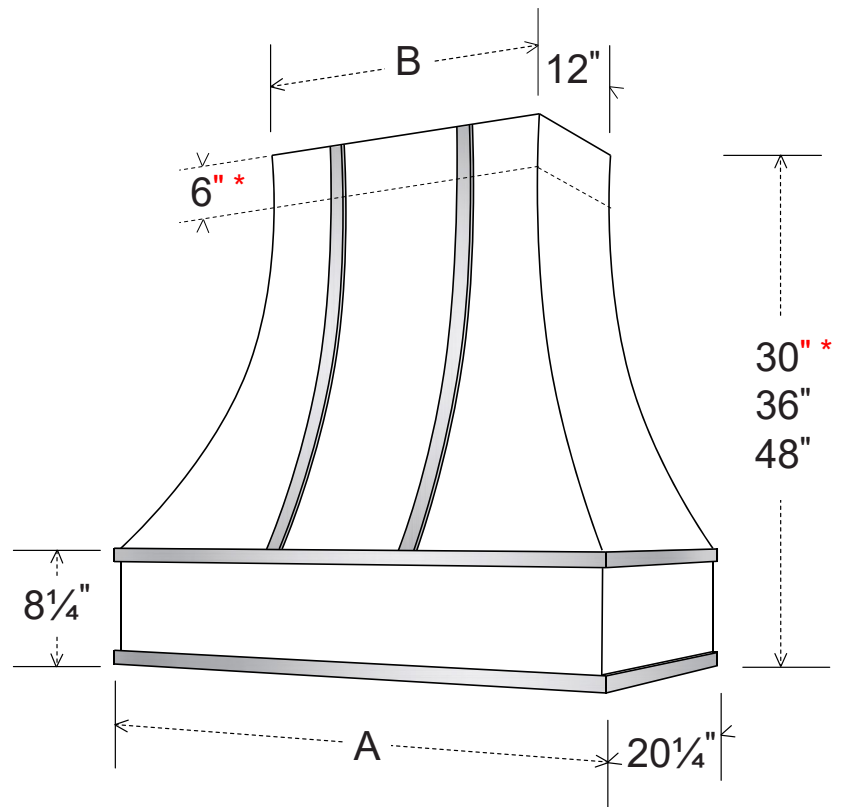
- Sold separately
- May ship separately from wood hood unit
- If fan/blower is **not** selected hood will be made with ¾" finished plywood solid bottom for job-site cut out



# CURVED Steel Straps

Item (Width/Height)	A	B
CMSMS-3030*	31½"	15"
CMSMS-3036	31½"	15"
CMSMS-3048	31½"	15"
CMSMS-3630*	37½"	21"
CMSMS-3636	37½"	21"
CMSMS-3648	37½"	21"
CMSMS-4230*	43½"	27"
CMSMS-4236	43½"	27"
CMSMS-4248	43½"	27"
CMSMS-4830*	49½"	33"
CMSMS-4836	49½"	33"
CMSMS-4848	49½"	33"

\* 30" high hoods are NOT trimmable in height  
(Dimensions include the width/height of trim)



## Quick Specs

- Two Piece unit (Apron/Back & Chimney)
- Chimney trimmable 6" max from top
- Number of straps vary per hood width
- ¾" cabinet grade veneer plywood
- Apron molding is ¼" solid hardwood maple
- Standard *interior* width:
  - Subtract 1½" from overall exterior width (A)
- Standard *interior* depth is 18"
- All dimensions are nominal
- Wood Hoods are shipped separately from cabinet order

## Exhaust Fan/Blower

- Sold separately
- May ship separately from wood hood unit
- If fan/blower is **not** selected hood will be made with ¾" finished plywood solid bottom for job-site cut out

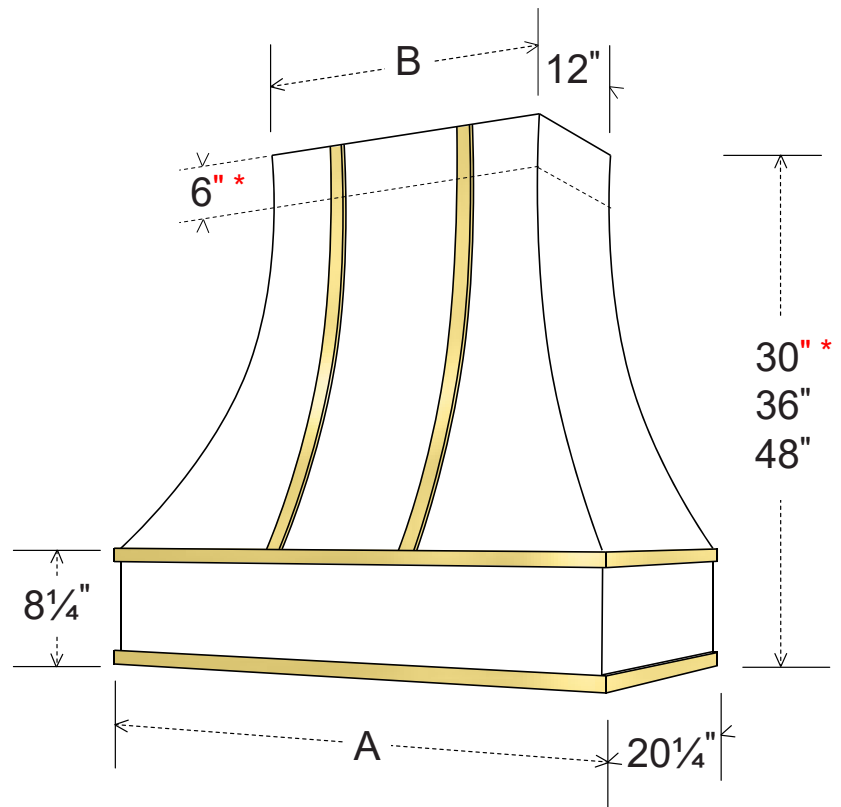


# CURVED

## Brass Straps

Item (Width/Height)	A	B
CMGMG-3030*	31½"	15"
CMGMG-3036	31½"	15"
CMGMG-3048	31½"	15"
CMGMG-3630*	37½"	21"
CMGMG-3636	37½"	21"
CMGMG-3648	37½"	21"
CMGMG-4230*	43½"	27"
CMGMG-4236	43½"	27"
CMGMG-4248	43½"	27"
CMGMG-4830*	49½"	33"
CMGMG-4836	49½"	33"
CMGMG-4848	49½"	33"

\* 30" high hoods are NOT trimmable in height  
(Dimensions include the width/height of trim)



### Quick Specs

- Two Piece unit (Apron/Back & Chimney)
- Chimney trimmable 6" max from top
- Number of straps vary per hood width
- ¾" cabinet grade veneer plywood
- Apron molding is ¼" solid hardwood maple
- Standard *interior* width:
  - Subtract 1½" from overall exterior width (A)
- Standard *interior* depth is 18"
- All dimensions are nominal
- Wood Hoods are shipped separately from cabinet order

### Exhaust Fan/Blower

- Sold separately
- May ship separately from wood hood unit
- If fan/blower is **not** selected hood will be made with ¾" finished plywood solid bottom for job-site cut out



# TAPERED

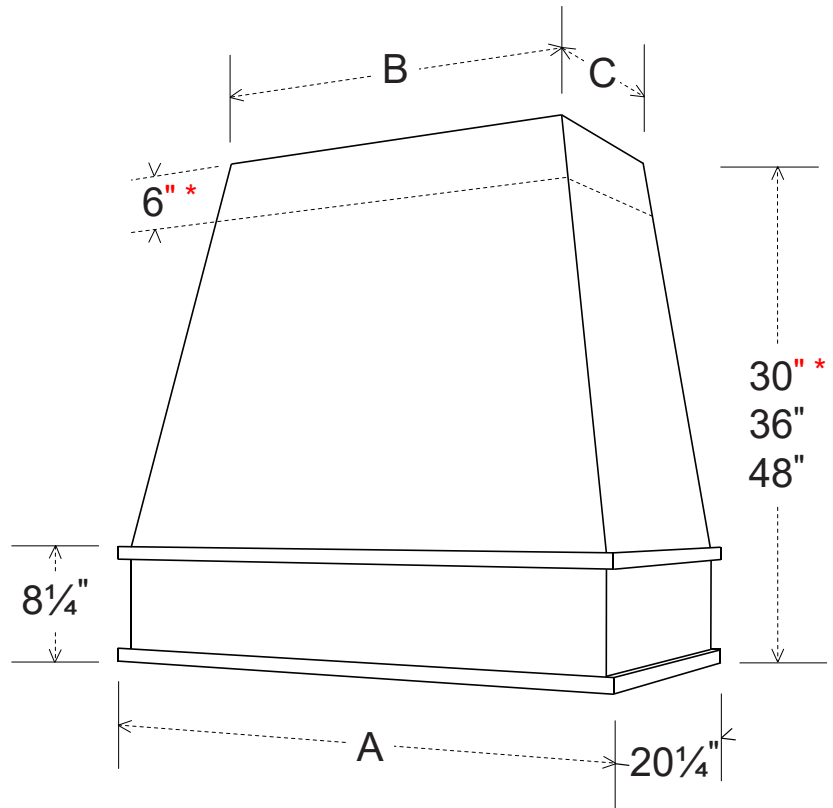
## Smooth

Item (Width/Height)	A	B	C
MSX-3030*	31½"	20"	14½"
MSX-3036	31½"	20"	14½"
MSX-3048	31½"	20"	12¼"
MSX-3630*	37½"	26"	14½"
MSX-3636	37½"	26"	14½"
MSX-3648	37½"	26"	12¼"
MSX-4230*	43½"	32"	14½"
MSX-4236	43½"	32"	14½"
MSX-4248	43½"	32"	12¼"
MSX-4830*	49½"	38"	14½"
MSX-4836	49½"	38"	14½"
MSX-4848	49½"	38"	12¼"

\* 30" high hoods are NOT trimmable in height  
(Dimensions include the width/height of trim)

### Quick Specs

- Two Piece unit (Apron/Back & Chimney)
- Chimney trimmable 6" max from top
- ¾" cabinet grade veneer plywood
- Apron molding is ¼" solid hardwood maple
- Standard *interior* width:
  - Subtract 1½" from overall exterior width (A)
- Standard *interior* depth is 18"
- All dimensions are nominal
- Wood Hoods are shipped separately from cabinet order



### Exhaust Fan/Blower

- Sold separately
- May ship separately from wood hood unit
- If fan/blower is **not** selected hood will be made with ¾" finished plywood solid bottom for job-site cut out



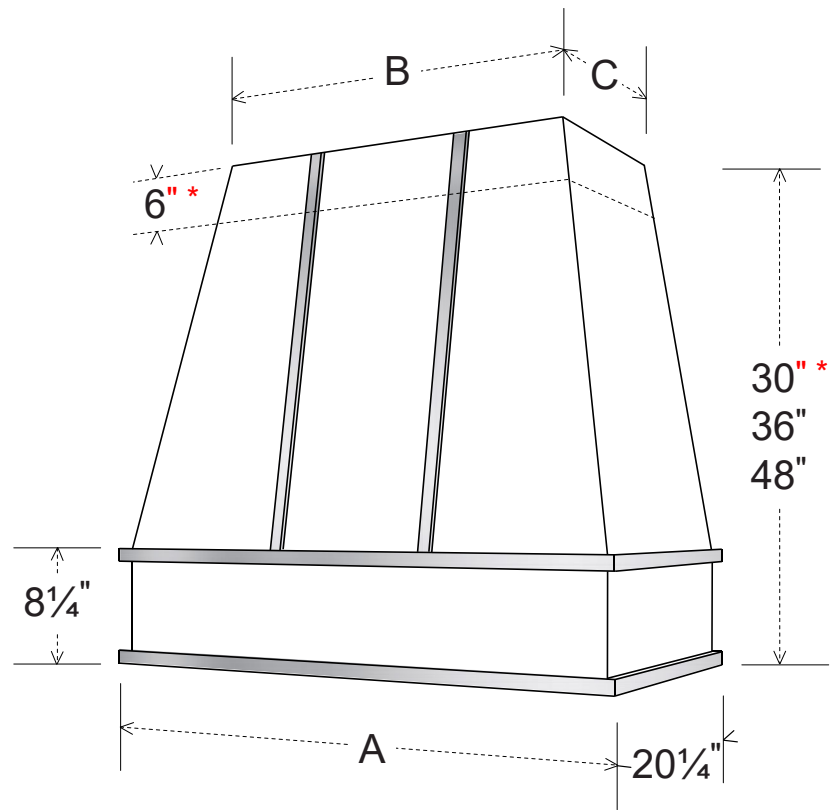
# TAPERED Steel Straps

Item (Width/Height)	A	B	C
MMSMS-3030*	31½"	20"	14½"
MMSMS-3036	31½"	20"	14½"
MMSMS-3048	31½"	20"	12¼"
MMSMS-3630*	37½"	26"	14½"
MMSMS-3636	37½"	26"	14½"
MMSMS-3648	37½"	26"	12¼"
MMSMS-4230*	43½"	32"	14½"
MMSMS-4236	43½"	32"	14½"
MMSMS-4248	43½"	32"	12¼"
MMSMS-4830*	49½"	38"	14½"
MMSMS-4836	49½"	38"	14½"
MMSMS-4848	49½"	38"	12¼"

\* 30" high hoods are NOT trimmable in height  
(Dimensions include the width/height of trim)

## Quick Specs

- Two Piece unit (Apron/Back & Chimney)
- Chimney trimmable 6" max from top
- Number of straps vary per hood width
- ¾" cabinet grade veneer plywood
- Apron molding is ¼" solid hardwood maple
- Standard *interior* width:
  - Subtract 1½" from overall exterior width (A)
- Standard *interior* depth is 18"
- All dimensions are nominal
- Wood Hoods are shipped separately from cabinet order



## Exhaust Fan/Blower

- Sold separately
- May ship separately from wood hood unit
- If fan/blower is **not** selected hood will be made with ¾" finished plywood solid bottom for job-site cut out





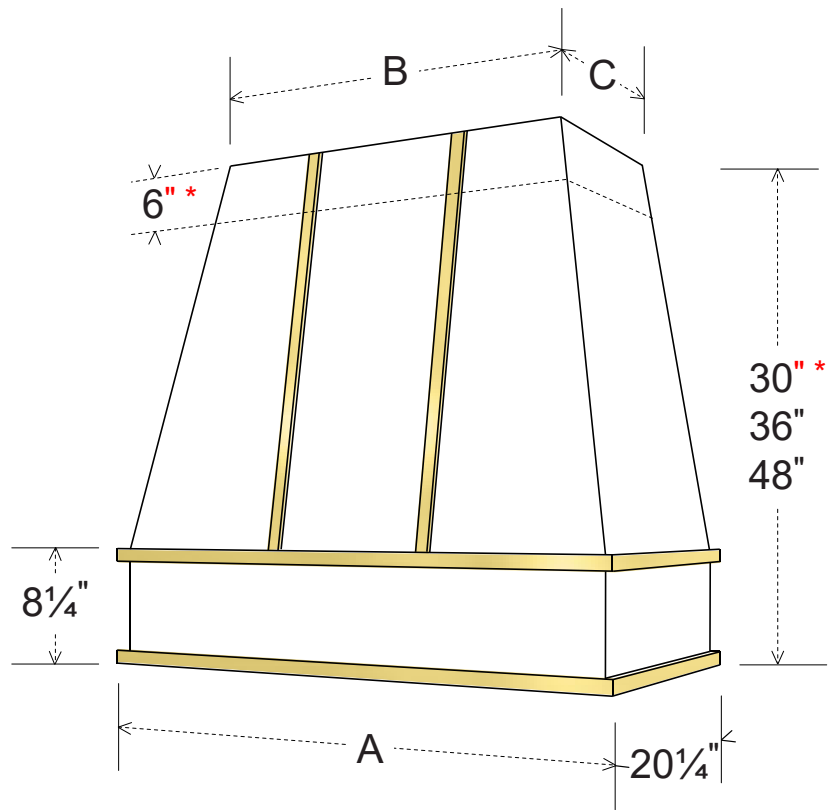
# TAPERED Brass Straps

Item (Width/Height)	A	B	C
MMGMG-3030*	31½"	20"	14½"
MMGMG-3036	31½"	20"	14½"
MMGMG-3048	31½"	20"	12¼"
MMGMG-3630*	37½"	26"	14½"
MMGMG-3636	37½"	26"	14½"
MMGMG-3648	37½"	26"	12¼"
MMGMG-4230*	43½"	32"	14½"
MMGMG-4236	43½"	32"	14½"
MMGMG-4248	43½"	32"	12¼"
MMGMG-4830*	49½"	38"	14½"
MMGMG-4836	49½"	38"	14½"
MMGMG-4848	49½"	38"	12¼"

\* 30" high hoods are NOT trimmable in height  
(Dimensions include the width/height of trim)

## Quick Specs

- Two Piece unit (Apron/Back & Chimney)
- Chimney trimmable 6" max from top
- Number of straps vary per hood width
- ¾" cabinet grade veneer plywood
- Apron molding is ¼" solid hardwood maple
- Standard *interior* width:
  - Subtract 1½" from overall exterior width (A)
- Standard *interior* depth is 18"
- All dimensions are nominal
- Wood Hoods are shipped separately from cabinet order



## Exhaust Fan/Blower

- Sold separately
- May ship separately from wood hood unit
- If fan/blower is **not** selected hood will be made with ¾" finished plywood solid bottom for job-site cut out



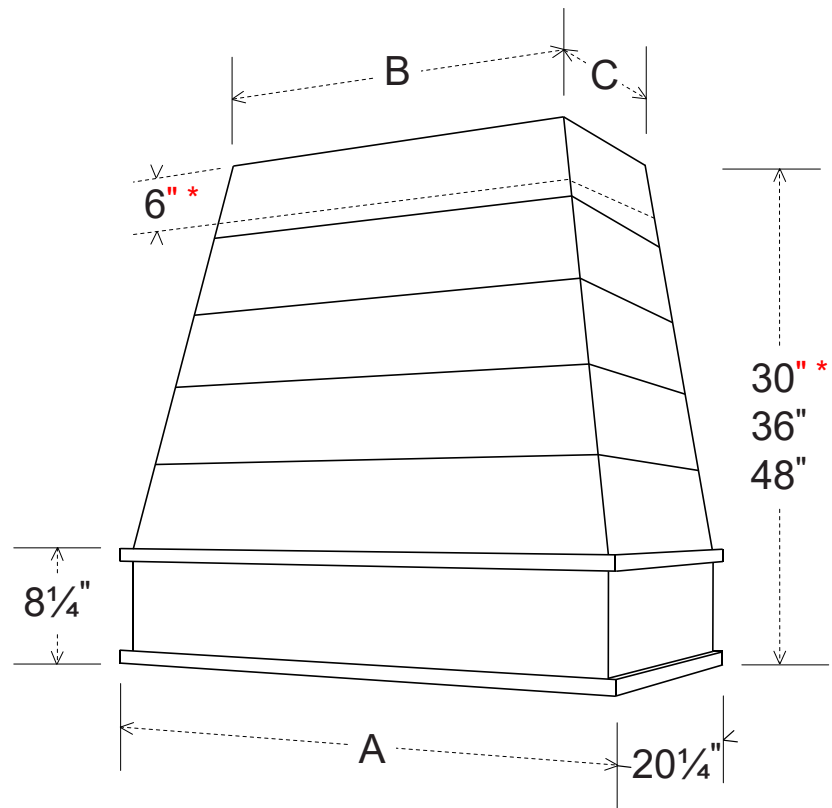
# TAPERED Shiplap

Item (Width/Height)	A	B	C
MMGMG-3030*	31½"	20"	14½"
MMGMG-3036	31½"	20"	14½"
MMGMG-3048	31½"	20"	12¼"
MMGMG-3630*	37½"	26"	14½"
MMGMG-3636	37½"	26"	14½"
MMGMG-3648	37½"	26"	12¼"
MMGMG-4230*	43½"	32"	14½"
MMGMG-4236	43½"	32"	14½"
MMGMG-4248	43½"	32"	12¼"
MMGMG-4830*	49½"	38"	14½"
MMGMG-4836	49½"	38"	14½"
MMGMG-4848	49½"	38"	12¼"

\* 30" high hoods are NOT trimmable in height  
(Dimensions include the width/height of trim)

## Quick Specs

- Two Piece unit (Apron/Back & Chimney)
- Chimney trimmable 6" max from top
- Number of shiplap planks vary per hood height
- ¾" cabinet grade veneer plywood
- Apron molding is ¼" solid hardwood maple
- Standard *interior* width:
  - Subtract 1½" from overall exterior width (A)
- Standard *interior* depth is 18"
- All dimensions are nominal
- Wood Hoods are shipped separately from cabinet order



## Exhaust Fan/Blower

- Sold separately
- May ship separately from wood hood unit
- If fan/blower is **not** selected hood will be made with ¾" finished plywood solid bottom for job-site cut out



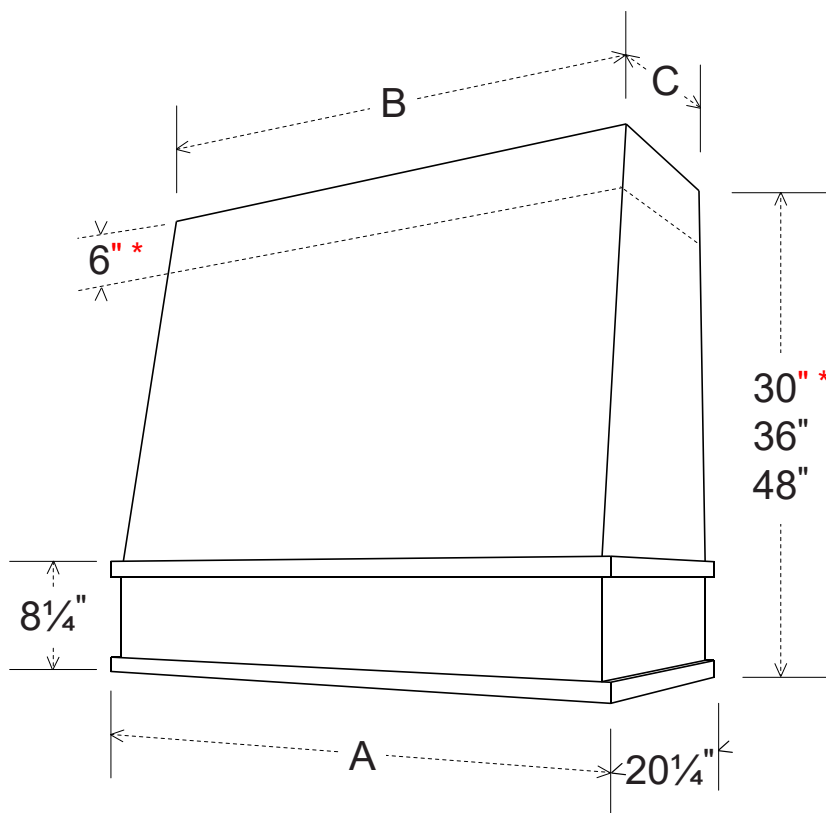
# ANGLED Smooth

Item (Width/Height)	A	B	C
LSX-3030*	31½"	30"	14½"
LSX-3036	31½"	30"	14½"
LSX-3048	31½"	30"	12¼"
LSX-3630*	37½"	36"	14½"
LSX-3636	37½"	36"	14½"
LSX-3648	37½"	36"	12¼"
LSX-4230*	43½"	42"	14½"
LSX-4236	43½"	42"	14½"
LSX-4248	43½"	42"	12¼"
LSX-4830*	49½"	48"	14½"
LSX-4836	49½"	48"	14½"
LSX-4848	49½"	48"	12¼"

\* 30" high hoods are NOT trimmable in height  
(Dimensions include the width/height of trim)

## Quick Specs

- Two Piece unit (Apron/Back & Chimney)
- Chimney trimmable 6" max from top
- ¾" cabinet grade veneer plywood
- Apron molding is ¼" solid hardwood maple
- Standard *interior* width:
  - Subtract 1½" from overall exterior width (A)
- Standard *interior* depth is 18"
- All dimensions are nominal
- Wood Hoods are shipped separately from cabinet order



## Exhaust Fan/Blower

- Sold separately
- May ship separately from wood hood unit
- If fan/blower is **not** selected hood will be made with ¾" finished plywood solid bottom for job-site cut out



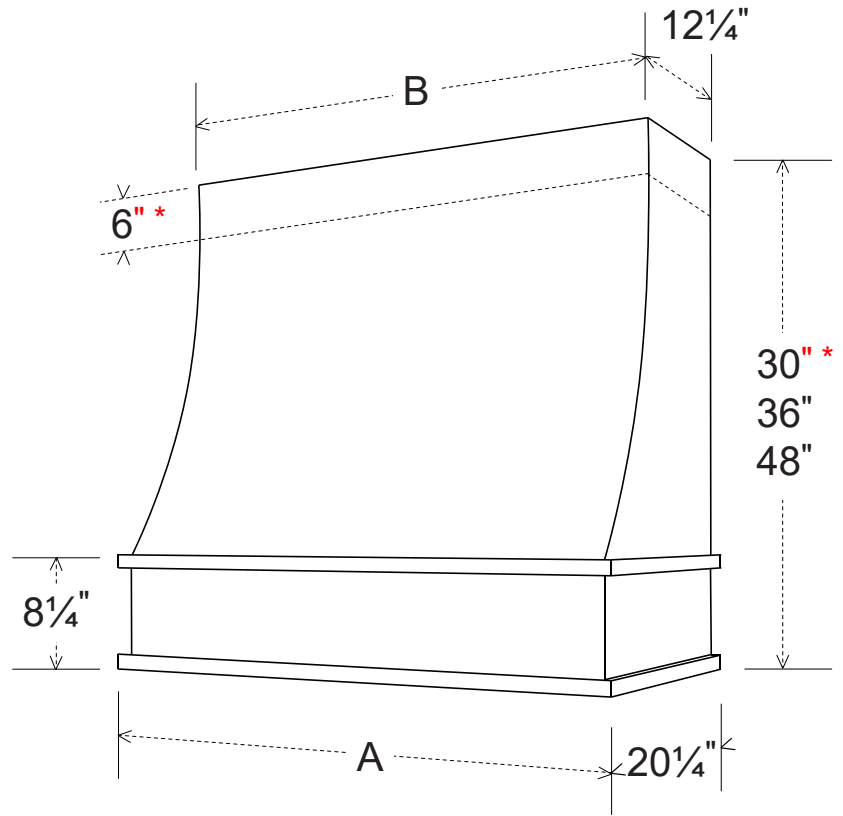
# SLOPED Smooth

Item (Width/Height)	A	B
VSX-3030*	31½"	30"
VSX-3036	31½"	30"
VSX-3048	31½"	30"
VSX-3630*	37½"	36"
VSX-3636	37½"	36"
VSX-3648	37½"	36"
VSX-4230*	43½"	42"
VSX-4236	43½"	42"
VSX-4248	43½"	42"
VSX-4830*	49½"	48"
VSX-4836	49½"	48"
VSX-4848	49½"	48"

\* 30" high hoods are NOT trimmable in height  
(Dimensions include the width/height of trim)

## Quick Specs

- Two Piece unit (Apron/Back & Chimney)
- Chimney trimmable 6" max from top
- ¾" cabinet grade veneer plywood
- Apron molding is ¼" solid hardwood maple
- Standard *interior* width:
  - Subtract 1½" from overall exterior width (A)
- Standard *interior* depth is 18"
- All dimensions are nominal
- Wood Hoods are shipped separately from cabinet order



## Exhaust Fan/Blower

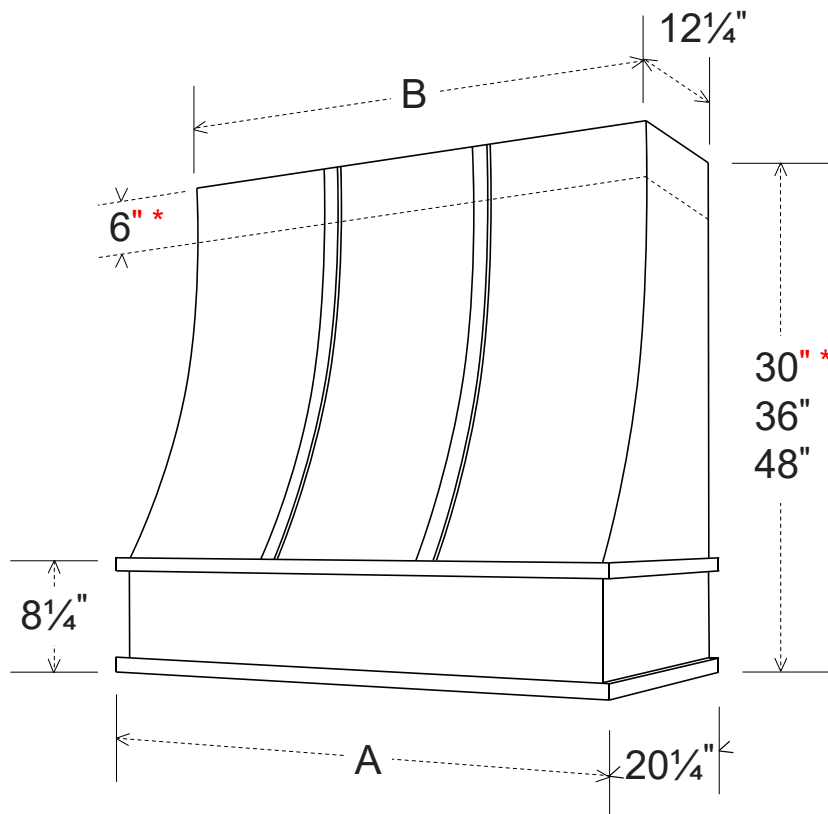
- Sold separately
- May ship separately from wood hood unit
- If fan/blower is **not** selected hood will be made with ¾" finished plywood solid bottom for job-site cut out



# SLOPED Wood Straps

Item (Width/Height)	A	B
VSR-3030*	31½"	30"
VSR-3036	31½"	30"
VSR-3048	31½"	30"
VSR-3630*	37½"	36"
VSR-3636	37½"	36"
VSR-3648	37½"	36"
VSR-4230*	43½"	42"
VSR-4236	43½"	42"
VSR-4248	43½"	42"
VSR-4830*	49½"	48"
VSR-4836	49½"	48"
VSR-4848	49½"	48"

\* 30" high hoods are NOT trimmable in height  
(Dimensions include the width/height of trim)



## Quick Specs

- Two Piece unit (Apron/Back & Chimney)
- Chimney trimmable 6" max from top
- Number of straps vary per hood width
- ¾" cabinet grade veneer plywood
- Apron molding is ¼" solid hardwood maple
- Standard *interior* width:
  - Subtract 1½" from overall exterior width (A)
- Standard *interior* depth is 18"
- All dimensions are nominal
- Wood Hoods are shipped separately from cabinet order

## Exhaust Fan/Blower

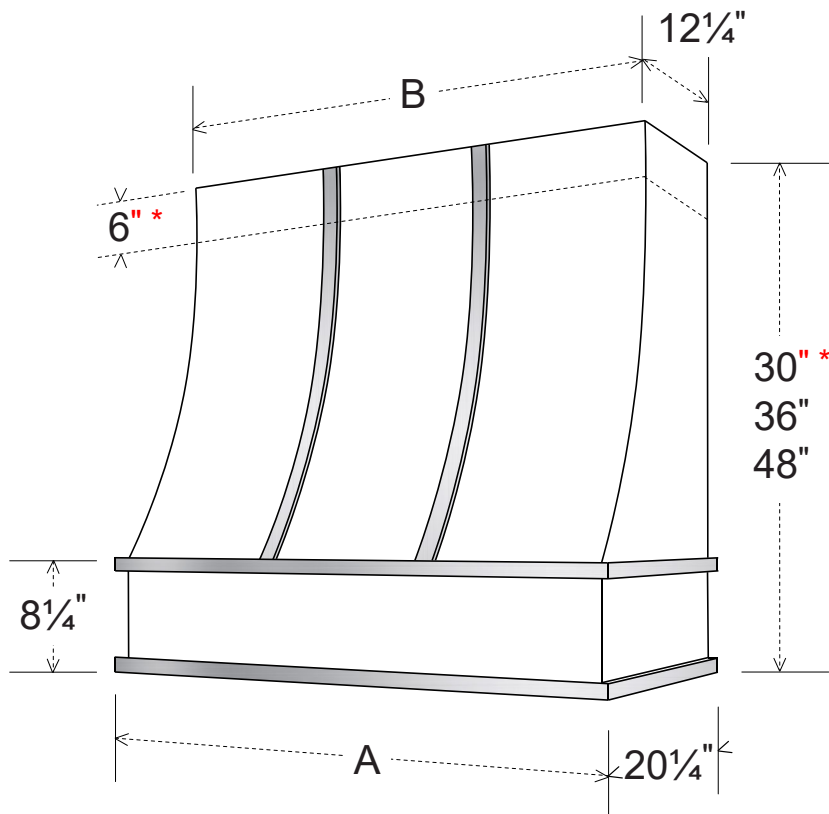
- Sold separately
- May ship separately from wood hood unit
- If fan/blower is **not** selected hood will be made with ¾" finished plywood solid bottom for job-site cut out



# SLOPED Steel Straps

Item (Width/Height)	A	B
VMSMS-3030*	31½"	30"
VMSMS-3036	31½"	30"
VMSMS-3048	31½"	30"
VMSMS-3630*	37½"	36"
VMSMS-3636	37½"	36"
VMSMS-3648	37½"	36"
VMSMS-4230*	43½"	42"
VMSMS-4236	43½"	42"
VMSMS-4248	43½"	42"
VMSMS-4830*	49½"	48"
VMSMS-4836	49½"	48"
VMSMS-4848	49½"	48"

\* 30" high hoods are NOT trimmable in height  
(Dimensions include the width/height of trim)



## Quick Specs

- Two Piece unit (Apron/Back & Chimney)
- Chimney trimmable 6" max from top
- Number of straps vary per hood width
- ¾" cabinet grade veneer plywood
- Apron molding is ¼" solid hardwood maple
- Standard *interior* width:
  - Subtract 1½" from overall exterior width (A)
- Standard *interior* depth is 18"
- All dimensions are nominal
- Wood Hoods are shipped separately from cabinet order

## Exhaust Fan/Blower

- Sold separately
- May ship separately from wood hood unit
- If fan/blower is **not** selected hood will be made with ¾" finished plywood solid bottom for job-site cut out



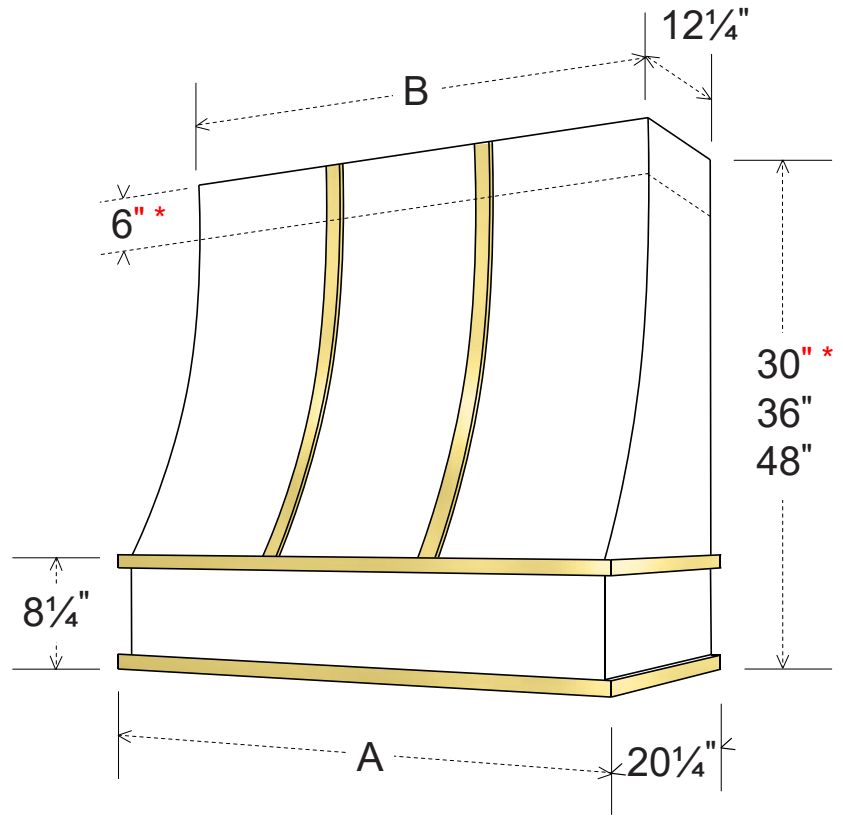
# SLOPED Brass Straps

Item (Width/Height)	A	B
VMGMG-3030*	31½"	30"
VMGMG-3036	31½"	30"
VMGMG-3048	31½"	30"
VMGMG-3630*	37½"	36"
VMGMG-3636	37½"	36"
VMGMG-3648	37½"	36"
VMGMG-4230*	43½"	42"
VMGMG-4236	43½"	42"
VMGMG-4248	43½"	42"
VMGMG-4830*	49½"	48"
VMGMG-4836	49½"	48"
VMGMG-4848	49½"	48"

\* 30" high hoods are NOT trimmable in height  
(Dimensions include the width/height of trim)

## Quick Specs

- Two Piece unit (Apron/Back & Chimney)
- Chimney trimmable 6" max from top
- Number of straps vary per hood width
- ¾" cabinet grade veneer plywood
- Apron molding is ¼" solid hardwood maple
- Standard *interior* width:
  - Subtract 1½" from overall exterior width (A)
- Standard *interior* depth is 18"
- All dimensions are nominal
- Wood Hoods are shipped separately from cabinet order



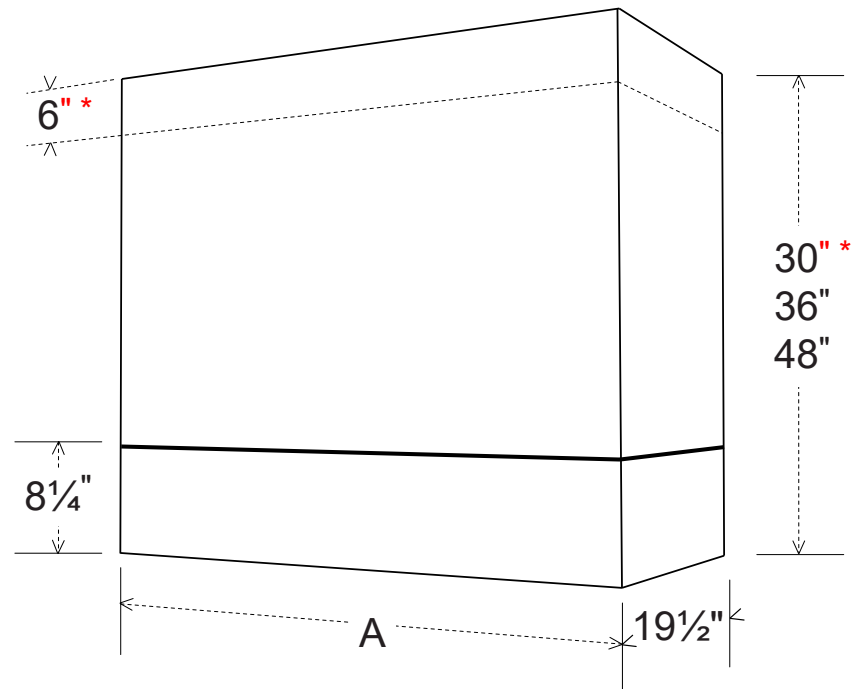
## Exhaust Fan/Blower

- Sold separately
- May ship separately from wood hood unit
- If fan/blower is **not** selected hood will be made with ¾" finished plywood solid bottom for job-site cut out



# BOX Smooth

Item (Width/Height)	A
BNT-3030*	30"
BNT-3036	30"
BNT-3048	30"
BNT-3630*	36"
BNT-3636	36"
BNT-3648	36"
BNT-4230*	42"
BNT-4236	42"
BNT-4248	42"
BNT-4830*	48"
BNT-4836	48"
BNT-4848	48"



\* 30" high hoods are NOT trimmable in height  
(Dimensions include the width/height of trim)

## Quick Specs

- Two Piece unit (Apron/Back & Chimney)
- Chimney trimmable 6" max from top
- $\frac{3}{4}$ " cabinet grade veneer plywood
- Apron molding is  $\frac{1}{4}$ " solid hardwood maple
- Standard *interior* width:
  - Subtract  $1\frac{1}{2}$ " from overall exterior width (A)
- Standard *interior* depth is 18"
- All dimensions are nominal
- Wood Hoods are shipped separately from cabinet order

## Exhaust Fan/Blower

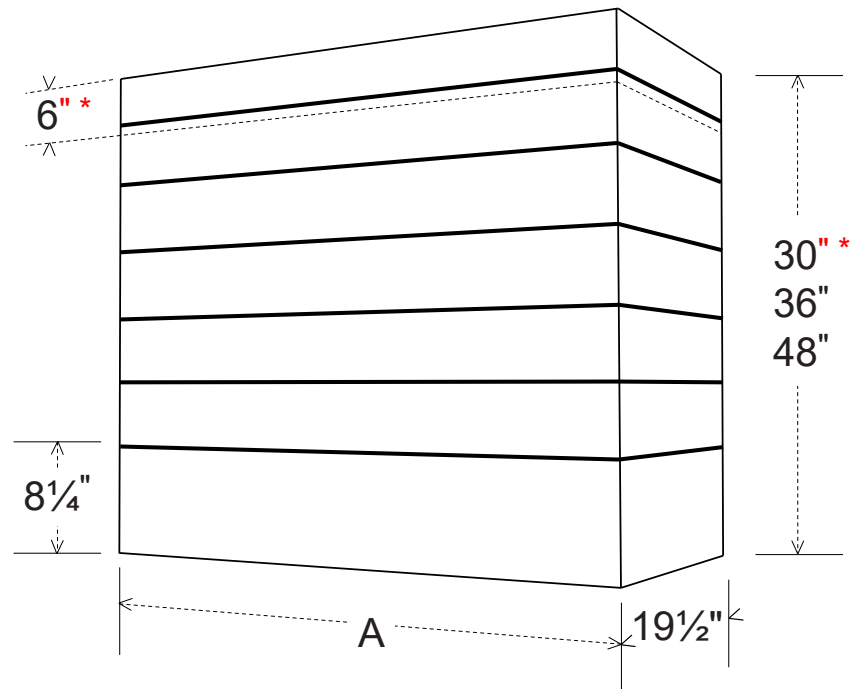
- Sold separately
- May ship separately from wood hood unit
- If fan/blower is **not** selected hood will be made with  $\frac{3}{4}$ " finished plywood solid bottom for job-site cut out





# BOX Shiplap

Item (Width/Height)	A
BSNT-3030*	30"
BSNT-3036	30"
BSNT-3048	30"
BSNT-3630*	36"
BSNT-3636	36"
BSNT-3648	36"
BSNT-4230*	42"
BSNT-4236	42"
BSNT-4248	42"
BSNT-4830*	48"
BSNT-4836	48"
BSNT-4848	48"



\* 30" high hoods are NOT trimmable in height  
(Dimensions include the width/height of trim)

## Quick Specs

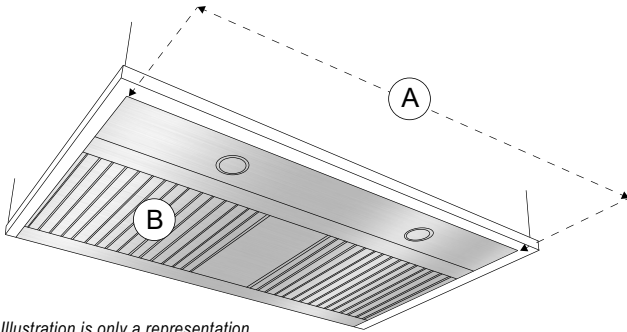
- Two Piece unit (Apron/Back & Chimney)
- Chimney trimmable 6" max from top
- Number of shiplap planks vary per hood height
- 3/4" cabinet grade veneer plywood
- Apron molding is 1/4" solid hardwood maple
- Standard *interior* width:
  - Subtract 1 1/2" from overall exterior width (A)
- Standard *interior* depth is 18"
- All dimensions are nominal
- Wood Hoods are shipped separately from cabinet order

## Exhaust Fan/Blower

- Sold separately
- May ship separately from wood hood unit
- If fan/blower is **not** selected hood will be made with 3/4" finished plywood solid bottom for job-site cut out



# TRADE-WIND®



*Illustration is only a representation of the actual product*

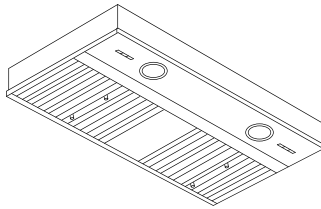
Trade-Wind 390 & 600 CFM NOTES:

- A) Exhaust fan/blower covers the entire interior area and is nominally flush to the bottom of the wood hood.
- B) Stainless steel commercial baffle filters, instead of mesh filters, to prevent block heat and catch grease laden vapors



## **Trade-Wind 390 CFM**

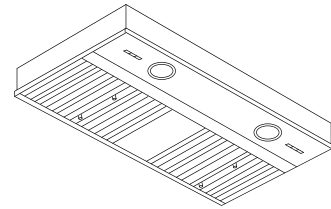
Trade-Wind model  
#VSL4 Series



- Sold separately from wood hood
- Available for 30", 36", 42", 48" widths
- Commercial grade stainless steel (#304, 24-gauge) and galvanized steel construction
- 3-speed motor
- Electronic touch control buttons
- Two directional LED lights
- 7 Sones at full 390 CFM
- Rubber-mounted motor & large, squirrel-cage blower
- Dishwasher safe commercial baffle filters
- Remote Control
- For hard wire only
- 7" round duct not included
- Can be converted to ductless
- Three Year Limited Warranty
- More information: [t-wusa.com](http://t-wusa.com)

## **Trade-Wind 600 CFM**

Trade-Wind model  
#VSL4 Series



- Sold separately from wood hood
- Available for 30", 36", 42", 48" widths
- Commercial grade stainless steel (#304, 24-gauge) and galvanized steel construction
- 3-speed motor
- Electronic touch control buttons
- Two directional LED lights
- 7.5 Sones at full 600 CFM
- Rubber-mounted motor & large, squirrel-cage blower
- Dishwasher safe commercial baffle filters
- Remote Control
- For hard wire only
- 8" round duct not included
- Can be converted to ductless
- Three Year Limited Warranty
- More information: [t-wusa.com](http://t-wusa.com)
- Make require make up air please check local municipal ordinances

# List Price

SKU	Standard Paint Finishes	Color Match Paint Finishes
<b>CURVED - SMOOTH</b>		
CSX-3030	4286	6714
CSX-3036	4286	6714
CSX-3048	4571	7000
CSX-3630	4571	7000
CSX-3636	4571	7000
CSX-3648	4643	7071
CSX-4230	4714	7143
CSX-4236	4714	7143
CSX-4248	4929	7357
CSX-4830	4929	7357
CSX-4836	4929	7357
CSX-4848	5286	7714
<b>CURVED - WOOD STRAPS</b>		
CSR-3030	4500	6929
CSR-3036	4500	6929
CSR-3048	4714	7143
CSR-3630	4714	7143
CSR-3636	4714	7143
CSR-3648	4786	7214
CSR-4230	4857	7286
CSR-4236	4857	7286
CSR-4248	5071	7500
CSR-4830	5071	7500
CSR-4836	5071	7500
CSR-4848	5429	7857
<b>CURVED - STEEL STRAPS</b>		
CMSMS-3030	6000	8429
CMSMS-3036	6000	8429
CMSMS-3048	6214	8643
CMSMS-3630	6214	8643
CMSMS-3636	6214	8643
CMSMS-3648	6286	8714
CMSMS-4230	6357	8786
CMSMS-4236	6357	8786
CMSMS-4248	6500	8929
CMSMS-4830	6500	8929
CMSMS-4836	6500	8929
CMSMS-4848	6857	9286

# List Price

SKU	Standard Paint Finishes	Color Match Paint Finishes
<b>CURVED - BRASS STRAPS</b>		
CMGMG-3030	6000	8429
CMGMG-3036	6000	8429
CMGMG-3048	6214	8643
CMGMG-3630	6214	8643
CMGMG-3636	6214	8643
CMGMG-3648	6286	8714
CMGMG-4230	6357	8786
CMGMG-4236	6357	8786
CMGMG-4248	6500	8929
CMGMG-4830	6500	8929
CMGMG-4836	6500	8929
CMGMG-4848	6857	9286
<b>TAPERED-SMOOTH</b>		
MSX-3030	4286	6714
MSX-3036	4286	6714
MSX-3048	4571	7000
MSX-3630	4571	7000
MSX-3636	4571	7000
MSX-3648	4643	7071
MSX-4230	4714	7143
MSX-4236	4714	7143
MSX-4248	4929	7357
MSX-4830	4929	7357
MSX-4836	4929	7357
MSX-4848	5286	7714
<b>TAPERED-STEEL STRAPS</b>		
MMSMS-3030	5929	8357
MMSMS-3036	5929	8357
MMSMS-3048	6071	8500
MMSMS-3630	6071	8500
MMSMS-3636	6071	8500
MMSMS-3648	6214	8643
MMSMS-4230	6286	8714
MMSMS-4236	6286	8714
MMSMS-4248	6429	8857
MMSMS-4830	6429	8857
MMSMS-4836	6429	8857
MMSMS-4848	6857	9286

# List Price

SKU	Standard Paint Finishes	Color Match Paint Finishes
<b>TAPERED-BRASS STRAPS</b>		
MMGMG-3030	6000	8429
MMGMG-3036	6000	8429
MMGMG-3048	6143	8571
MMGMG-3630	6143	8571
MMGMG-3636	6143	8571
MMGMG-3648	6286	8714
MMGMG-4230	6357	8786
MMGMG-4236	6357	8786
MMGMG-4248	6500	8929
MMGMG-4830	6500	8929
MMGMG-4836	6500	8929
MMGMG-4848	6929	9357
<b>TAPERED-SHIDLAP</b>		
MSS-3030	4286	6714
MSS-3036	4286	6714
MSS-3048	4571	7000
MSS-3630	4571	7000
MSS-3636	4571	7000
MSS-3648	4643	7071
MSS-4230	4714	7143
MSS-4236	4714	7143
MSS-4248	4857	7286
MSS-4830	4857	7286
MSS-4836	4857	7286
MSS-4848	5286	7714
<b>SLOPED-SMOOTH</b>		
VSX-3030	4286	6714
VSX-3036	4286	6714
VSX-3048	4571	7000
VSX-3630	4571	7000
VSX-3636	4571	7000
VSX-3648	4643	7071
VSX-4230	4714	7143
VSX-4236	4714	7143
VSX-4248	4857	7286
VSX-4830	4857	7286
VSX-4836	4857	7286
VSX-4848	5286	7714

# List Price

SKU	Standard Paint Finishes	Color Match Paint Finishes
<b>SLOPED-WOOD STRAPS</b>		
VSR-3030	4500	6929
VSR-3036	4500	6929
VSR-3048	4714	7143
VSR-3630	4714	7143
VSR-3636	4714	7143
VSR-3648	5143	7571
VSR-4230	4857	7286
VSR-4236	4857	7286
VSR-4248	5071	7500
VSR-4830	5071	7500
VSR-4836	5071	7500
VSR-4848	5429	7857
<b>SLOPED-STEEL STRAPS</b>		
VMSMS-3030	5929	8357
VMSMS-3036	5929	8357
VMSMS-3048	6000	8429
VMSMS-3630	6000	8429
VMSMS-3636	6000	8429
VMSMS-3648	6571	9000
VMSMS-4230	6357	8786
VMSMS-4236	6357	8786
VMSMS-4248	6500	8929
VMSMS-4830	6500	8929
VMSMS-4836	6500	8929
VMSMS-4848	6929	9357
<b>SLOPED-BRASS STRAPS</b>		
VMGMG-3030	5929	8357
VMGMG-3036	5929	8357
VMGMG-3048	6000	8429
VMGMG-3630	6000	8429
VMGMG-3636	6000	8429
VMGMG-3648	6571	9000
VMGMG-4230	6357	8786
VMGMG-4236	6357	8786
VMGMG-4248	6500	8929
VMGMG-4830	6500	8929
VMGMG-4836	6500	8929
VMGMG-4848	6929	9357

# List Price

SKU	Standard Paint Finishes	Color Match Paint Finishes
<b>ANGLED-SMOOTH</b>		
LSX-3030	4286	6714
LSX-3036	4286	6714
LSX-3048	4571	7000
LSX-3630	4571	7000
LSX-3636	4571	7000
LSX-3648	4643	7071
LSX-4230	4714	7143
LSX-4236	4714	7143
LSX-4248	4857	7286
LSX-4830	4857	7286
LSX-4836	4857	7286
LSX-4848	5286	7714
<b>BOX-SMOOTH</b>		
BNT-3030	4286	6714
BNT-3036	4286	6714
BNT-3048	4571	7000
BNT-3630	4571	7000
BNT-3636	4571	7000
BNT-3648	4643	7071
BNT-4230	4714	7143
BNT-4236	4714	7143
BNT-4248	4857	7286
BNT-4830	4857	7286
BNT-4836	4857	7286
BNT-4848	5286	7714
<b>BOX-SHIPLAP</b>		
BSNT-3030	4286	6714
BSNT-3036	4286	6714
BSNT-3048	4571	7000
BSNT-3630	4571	7000
BSNT-3636	4571	7000
BSNT-3648	4643	7071
BSNT-4230	4714	7143
BSNT-4236	4714	7143
BSNT-4248	4857	7286
BSNT-4830	4857	7286
BSNT-4836	4857	7286
BSNT-4848	5286	7714

# List Price

SKU	Standard Paint Finishes	Color Match Paint Finishes
<b>BLOWER &amp; LINER</b>		
TW39030	3767	3767
TW39036	4145	4145
TW39042	4592	4592
TW39048	5741	5741
TW60030	5142	5142
TW60036	5515	5515
TW60042	5854	5854
TW60048	6748	6748

4747 Western Ave, Connerville, Indiana 47331  
888-350-9165 | sales@homemarkcabinets.com

---